

**NOW  
AVAILABLE!**

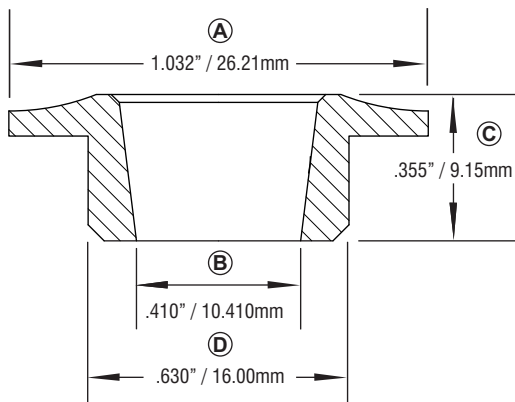


**ANNOUNCES**

# NEW GM SBC VALVE SPRING RETAINER

This retainer allows the use of an "LS" style Beehive spring in a small block Cylinder Head

A: O.D.	1.032" / 26.21mm
B: I.D.	0.410" / 10.40mm
C: Thickness	0.360" / 9.144mm
D: Valve Spring ID	0.630" / 16.00mm
Locks	7°
Material	Chrome-Moly Steel
Heat treated	Yes



Qty Required: 16

**Part number**

**475504**

**UPC: 729295208419**

Note: Retainers are packaged 4 pieces per box

**\*\* Always consult catalog listings for detailed application information\*\***

**Melling Engine Parts**

P.O. Box 1188 • Jackson, MI 49204 • [www.melling.com](http://www.melling.com)

