

# EXPANSION/FREEZE PLUG GUIDE

- Includes metric and standard dimensions for Pipe Plugs, Cup Plugs, Oil Galley Plugs, Camshaft & Jackshaft Plugs
- Includes full content descriptions and plug quantities for Expansion Plug Kits



## EXPANSION PLUG AND PLUG KIT LISTINGS

• Metric Pipe Plug Dimensional Data .....	Page 1
• Standard Pipe Plug Dimensional Data .....	Page 1
• Metric Cup Plug Dimensional Data .....	Pages 2 - 3
• Standard Cup Plug Dimensional Data .....	Pages 3 - 7
• Oil Galley Plug Dimensional Data .....	Page 7
• Camshaft / Jackshaft Plug Dimensional Data .....	Page 7
• Engine Plug Kit Contents .....	Pages 8 - 13

### General

- 1: When the following recommendations are followed, plugs can be installed without sealant and still retain maximum sealing qualities.
- 2: A sealant should not be required if the holes are properly prepared.
- 3: A small amount of lubricant, such as light machine oil is all that is required to prevent galling during insertion.

### Preparation of Holes

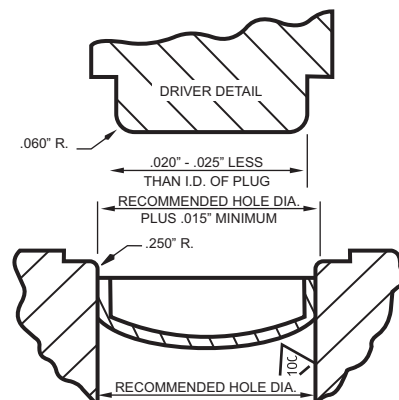
- 1: Finish inside hole should not exceed 100 micro-inches. Care should be taken to prevent boring or reaming tool leaving tool marks while being retracted from hole.
- 2: The hole should be round within .002" for sizes under 1" diameter, not more than .003" for sizes over 1" diameter.
- 3: Under normal conditions, hole diameters should not exceed the recommendations shown on the specification sheets.
- 4: Core hole entry should have a radius of 1/4" minimum tangent to hole. a 30° chamfer is often used, but is not recommended as this merely relocates the sharp corner of the bored hole.
- 5: Hole entry diameter should be larger than the bored hole by .015" minimum.

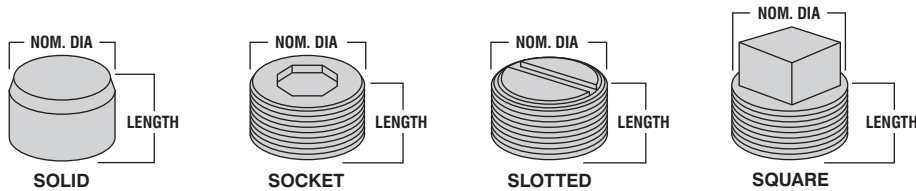
### Driving the Plug

- 1: Plugs should be driven from the inside bottom and NOT from the outer edge, or rim, of the cup.
- 2: The driving arbor should be approximately .020" - .025" smaller than the inside diameter of the plug.
- 3: The driving end of the arbor should have a 1/16" radius to prevent deforming the inside radius of the plug. It should be flat to prevent making contact with the crown of the plug.
- 4: Plugs should be driven square to the hole. The shoulder on the driver should be bottomed on the finished casting to control alignment and proper depth of insertion.
- 5: Open end of plug should be driven approximately .030" past the tangent point of entry radius.
- 6: Plugs should not touch bottom in a counterbored hole. This may cause deformation of the plugs, consequently leaking.

A reasonably good seal may be obtained if small deviations, when special conditions require them, are made from these recommendations. We suggest, however, that they be followed as nearly as possible.

### Illustration of Hole Preparation. Plug Driver, and Correct Plug Installation





### Metric Pipe Plugs • Dimensional Listings - Ascending By O.D.

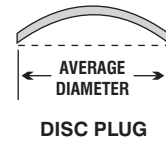
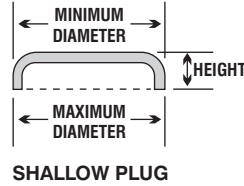
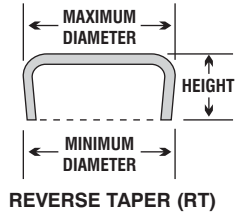
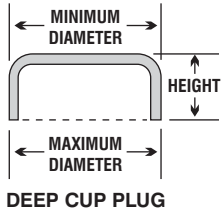
Part No.	O.D.	Length	Key/Square Size	Type
MPP-168T	8mm	8mm	4mm	Hex Head Socket
MPP-001T	9.25mm	6.60mm	5mm	Hex Head Socket
MPP-170T	10mm	8mm	5mm	Hex Head Socket
MPP-172T	12mm	10mm	6mm	Hex Head Socket
MPP-173	13mm	11mm	6mm	Hex Head Socket
MPP-160	13mm	12.3mm	Drive In	Solid Tapered Plug
MPP-174T	14mm	10mm	7mm	Hex Head Socket
MPP-176T	16mm	10mm	8mm	Hex Head Socket
MPP-178T	18mm	10mm	8mm	Hex Head Socket
MPP-180T	20mm	10mm	10mm	Hex Head Socket
MPP-182T	22mm	10mm	10mm	Hex Head Socket
MPP-184T	24mm	12mm	12mm	Hex Head Socket



### Standard Thread Pipe Plugs • Dimensional Listings - Ascending By O.D.

Part No.	O.D.	O.D.	Length	Key/Square Size	Key/Square Size	Type
MPP-505	.062	1/16	.300	.156	5/32	Hex Head Socket
MPP-505T	.062	1/16	.300	.156	5/32	Hex Head Socket (Teflon)
MPP-735	.125	1/8	.270	.187	3/16	Hex Head
MPP-733	.125	1/8	.340	.250	1/4	Square Head
MPP-584	.250	1/4	.325	.250	1/4	Hex Head Socket
MPP-625	.250	1/4	.333	.250	1/4	Hex Head Socket
MPP-625T	.250	1/4	.333	.250	1/4	Hex Head Socket (Teflon)
MPP-454	.250	1/4	.375	.250	1/4	Hex Head w/Oil Relief hole
MPP-567	.250	1/4	.375	.250	1/4	Hex Head Socket
MPP-567T	.250	1/4	.375	.250	1/4	Hex Head Socket (Teflon)
MPP-507	.250	1/4	.460	.250	1/4	Hex Head Socket
MPP-507T	.250	1/4	.460	.250	1/4	Hex Head Socket (Teflon)
MPP-490	.250	1/4	.500	.375	3/8	Square Head
MPP-490T	.250	1/4	.500	.375	3/8	Square Head (Teflon)
MPP-745	.250	1/4	.740	.562	9/16	Hex Head
MPP-638	.375	3/8	.300	.187	3/16	Hex Head Socket
MPP-638T	.375	3/8	.300	.187	3/16	Hex Head Socket (Teflon)
MPP-639	.375	3/8	.360	.312	5/16	Hex Head Socket (Special Thread)
MPP-554	.375	3/8	.375	.312	5/16	Hex Head Socket
MPP-554T	.375	3/8	.375	.312	5/16	Hex Head Socket (Teflon)
MPP-560	.375	3/8	.410	.312	5/16	Hex Head
MPP-560T	.375	3/8	.410	.312	5/16	Hex Head (Teflon)
MPP-475	.375	3/8	.455	.312	5/16	Square Head
MPP-637	.375	3/8	.460	.312	5/16	Hex Head Socket
MPP-637T	.375	3/8	.460	.312	5/16	Hex Head Socket (Teflon)
MPP-315	.375	3/8	.500	.437	7/16	Square Head
MPP-568	.500	1/2	.500	.375	3/8	Hex Head Socket
MPP-568T	.500	1/2	.500	.375	3/8	Hex Head Socket (Teflon)
MPP-620	.500	1/2	.610	.375	3/8	Hex Head
MPP-627	.500	1/2	.615	.562	9/16	Square Head
MPP-628	.750	3/4	.545	.625	5/8	Square Head
MPP-472	.750	3/4	.550	.500	1/2	Pipe Plug
MPP-480	.750	3/4	.550	.562	9/16	Hex Head
MPP-629	1.00	1	.725	.812	13/16	Square Head

T = Teflon Tape



**Metric Cup Plugs Dimensional Listings • Ascending by O.D.**

Part No.	Type	Nominal Size	O.D. Decimal Equivalent	O.D. Metric Equivalent	Decimal Diameter		Decimal Height
					Min.	Max.	
MPC-276	Metric Cup Plug	11mm	.442	11.23	.441	.443	.191
MPC-232	Metric Cup Plug	11.5mm	.455	11.56	.454	.456	.210
MPC-234	Metric Cup Plug	14mm	.560	14.22	.559	.561	.196
MPC-278	Metric Cup Plug	14.5mm	.567	14.64	.575	.578	.218
MEP-319	Metric Disc Plug	16mm	.630	16.00	.628	.631	.115
MPC-282	Metric Cup Plug	16.5mm	.642	16.30	.634	.650	.358
MEP-201	Metric Disc Plug	18mm	.708	17.98	.707	.711	.154
MEP-333	Metric Disc Plug	18mm	.709	18.01	.707	.710	.130
MEP-333-B	Metric Disc Plug	18mm	.709	18.01	.707	.710	.130
MPC-204	Metric Cup Plug	18mm	.717	18.21	.715	.719	.235
MPC-204-B	Metric Cup Plug	18mm	.717	18.21	.715	.719	.235
MPC-236	Metric Cup Plug	20mm	.795	20.21	.791	.800	.312
MPC-202	Metric Cup Plug	20mm	.798	20.27	.794	.802	.238
MPC-238	Metric Cup Plug	21mm	.809	21.06	.828	.831	.315
MEP-213	Metric Disc Plug	24mm	.944	23.98	.943	.945	.196
MPC-340	Metric Cup Plug	24mm	.951	24.15	.943	.959	.272
MEP-327	Metric Disc Plug	25mm	.987	25.07	.984	.988	.160
MPC-342	Metric Cup Plug	25mm	.994	25.24	.991	.996	.274
MPC-230	Metric Cup Plug	25mm	.996	25.30	.994	.998	.270
MPC-230-B	Metric Cup Plug	25mm	.996	25.30	.994	.998	.270
MPC-244	Metric Cup Plug	25mm	.996	25.30	.994	.998	.325
MPC-244-B	Metric Cup Plug	25mm	.996	25.30	.994	.998	.325
MPC-346	Metric Cup Plug	27mm	1.065	27.06	1.060	1.071	.332
MPC-248	Metric Cup Plug	28mm	1.115	28.32	1.113	1.117	.341
MPC-248-B	Metric Cup Plug	28mm	1.115	28.32	1.113	1.117	.341
MPC-350	Metric Cup Plug	29mm	1.145	29.10	1.144	1.147	.448
MPC-206	Metric Cup Plug	30mm	1.195	30.35	1.193	1.196	.320
MPC-206-B	Metric Cup Plug	30mm	1.195	30.35	1.193	1.196	.320
MPC-392	Metric Cup Plug	31.5mm	1.240	31.50	1.239	1.241	.335
MPC-208	Metric Cup Plug	32mm	1.272	32.31	1.270	1.274	.400
MPC-208-B	Metric Cup Plug	32mm	1.272	32.31	1.270	1.274	.400
MPC-280	Metric Cup Plug	34.3mm	1.348	34.25	1.346	1.350	.500
MPC-280-B	Metric Cup Plug	34.3mm	1.348	34.25	1.346	1.350	.500
MEP-211	Metric Disc Plug	35mm	1.376	34.95	1.375	1.377	.212
MEP-325	Metric Disc Plug	35mm	1.380	35.05	1.378	1.381	.191
MPC-224	Metric Cup Plug	35mm	1.394	35.41	1.393	1.396	.408
MPC-224-B	Metric Cup Plug	35mm	1.394	35.41	1.393	1.396	.408
MPC-352	Metric Cup Plug	36mm	1.423	36.16	1.421	1.426	.335
MPC-253	Metric Cup Plug	36.5mm	1.448	36.78	1.446	1.450	.397
MPC-253-B	Metric Cup Plug	36.5mm	1.448	36.78	1.446	1.450	.397
MPC-256	Metric Cup Plug	38mm	1.507	38.29	1.505	1.510	.312
MPC-256-B	Metric Cup Plug	38mm	1.507	38.29	1.505	1.510	.312
MPC-258	Metric Cup Plug	38.5mm	1.516	38.51	1.513	1.519	.375

**Metric Cup Plugs Dimensional Listings • Ascending by O.D. (Continued)**

Part No.	Type	Nominal Size	O.D. Decimal Equivalent	O.D. Metric Equivalent	Decimal Diameter		Decimal Height
					Min.	Max.	
MEP-215	Metric Disc Plug	40mm	1.574	39.98	1.573	1.575	.260
MPC-362	Metric Cup Plug	40mm	1.579	40.12	1.573	1.586	.504
MPC-260	Metric Cup Plug	40mm	1.585	40.26	1.583	1.587	.283
MPC-264	Metric Cup Plug	40mm	1.587	40.30	1.575	1.598	.470
MPC-212	Metric Cup Plug	40mm	1.590	40.40	1.589	1.592	.465
MPC-212-B	Metric Cup Plug	40mm	1.590	40.40	1.589	1.592	.465
MPC-384	Metric Cup Plug	41.5mm	1.633	41.47	1.625	1.640	.343
MEP-233	Metric Disc Plug	42mm	1.657	42.09	1.654	1.658	.244
MPC-272	Metric Cup Plug	42.3mm	1.663	42.25	1.661	1.665	.519
MPC-372	Metric Cup Plug	42.6mm	1.675	42.55	1.673	1.677	.378
MPC-266	Metric Cup Plug	45mm	1.760	44.71	1.750	1.770	.375
MPC-222	Metric Cup Plug	44.5mm	1.765	44.83	1.763	1.767	.533
MEP-221	Metric Disc Plug	45mm	1.774	45.06	1.770	1.775	.241
MEP-221-B	Metric Disc Plug	45mm	1.774	45.06	1.770	1.775	.241
MPC-214	Metric Cup Plug	45mm	1.788	45.42	1.787	1.790	.470
MPC-214-B	Metric Cup Plug	45mm	1.788	45.42	1.787	1.790	.470
MPC-216	Metric Cup Plug	46.5mm	1.843	46.81	1.841	1.844	.290
MPC-286	Metric Cup Plug	49.5mm	1.948	49.48	1.945	1.951	.313
MPC-268	Metric Cup Plug	50mm	1.975	50.17	1.965	1.985	.596
MPC-218	Metric Cup Plug	50mm	1.985	50.42	1.983	1.987	.474
MPC-218-B	Metric Cup Plug	50mm	1.985	50.42	1.983	1.987	.474
MPC-374	Metric Cup Plug	51mm	2.004	50.90	1.998	2.010	.366
MEP-323	Metric Disc Plug	52mm	2.047	51.99	2.044	2.048	.269
MEP-329	Metric Disc Plug	55mm	2.167	55.04	2.165	2.168	.260
MPC-287	Metric Cup Plug	56mm	2.206	56.04	2.203	2.209	.374

B = Brass

**Standard Cup Plugs Dimensional Listings • Ascending by O.D.**

Note	Part No.	Type	Nominal Size	O.D. Decimal Equivalent	O.D. Metric Equivalent	Decimal Diameter		Decimal Height
						Min.	Max.	
	MPC-211	Deep Cup Plug	1/4"	.260	6.59	.285	.261	.135
	MPC-211B	Deep Cup Plug	1/4"	.260	6.59	.285	.261	.135
	MPC-105	Deep Cup Plug	17/64"	.273	6.92	.270	.275	.200
	MPC-128	Deep Cup Plug	5/16"	.313	7.94	.310	.315	.296
	MPC-128-B	Deep Cup Plug	5/16"	.313	7.94	.310	.315	.296
	MPC-230-A	Deep Cup Plug	5/16"	.313	7.94	.312	.314	.105
	MPC-101	Deep Cup Plug	11/32"	.339	8.60	.337	.340	.241
	MEP-1	Disc Plug	3/8"	.375	9.53	.372	.377	N/A
	MPC-222A	Deep Cup Plug	3/8"	.383	9.73	.382	.384	.160
RT	MPC-107	Deep Cup Plug	3/8"	.385	9.78	.370	.390	.240
	MPC-227	Deep Cup Plug	25/64"	.404	10.26	.402	.408	.265
	MEP-37	Disc Plug	7/16"	.438	11.13	.435	.440	N/A
	MPC-93	Deep Cup Plug	7/16"	.439	11.14	.430	.447	.156
	MPC-93-B	Deep Cup Plug	7/16"	.439	11.14	.430	.447	.156
	MPC-168	Deep Cup Plug	7/16"	.440	11.18	.439	.441	.170
	MPC-88	Deep Cup Plug	29/64"	.446	11.32	.439	.452	.203
	MPC-108	Deep Cup Plug	15/32"	.473	12.01	.473	.477	.265
	MPC-210	Deep Cup Plug	15/32"	.475	12.07	.469	.481	.200
	MPC-109	Deep Cup Plug	31/64"	.488	12.40	.487	.489	.234
	MEP-46	Disc Plug	1/2"	.500	12.70	.498	.502	N/A
	MPC-226	Deep Cup Plug	1/2"	.500	12.70	.498	.503	.250
	MPC-169	Deep Cup Plug	1/2"	.510	12.95	.509	.511	.258
	MPC-193	Deep Cup Plug	33/64"	.512	13.00	.512	.515	.248
	MPC-87	Deep Cup Plug	33/64"	.515	13.07	.507	.522	.187
	MPC-95	Deep Cup Plug	1/2"	.526	13.36	.525	.529	.312
	MPC-95-B	Deep Cup Plug	1/2"	.526	13.36	.525	.529	.312

A = Special Size B = Brass C = Stainless Steel RT = Reverse Taper 1 = Special Chrysler Cam Plug 2 = Special Ford Cam Plug 3 = Special GM Plug w/ .030 Hole

**Standard Cup Plugs Dimensional Listings • Ascending by O.D. (Continued)**

Note	Part No.	Type	Nominal Size	O.D. Decimal Equivalent	O.D. Metric Equivalent	Decimal Diameter		Decimal Height
						Min.	Max.	
	<b>MPC-97</b>	Deep Cup Plug	35/64"	.539	13.69	.537	.542	.250
	<b>MPS-98</b>	Shallow Cup Plug	35/64"	.541	13.74	.537	.545	.187
	<b>MPC-166</b>	Deep Cup Plug	9/16"	.555	14.10	.554	.556	.210
	<b>MEP-47</b>	Disc Plug	9/16"	.563	14.30	.560	.565	N/A
	<b>MEP-47-B</b>	Disc Plug	9/16"	.563	14.30	.560	.565	N/A
	<b>MEP-217</b>	Deep Cup Plug	37/64"	.567	14.40	.561	.573	.350
	<b>MPC-217</b>	Deep Cup Plug	37/64"	.567	14.40	.561	.573	.350
RT	<b>MPC-94</b>	Deep Cup Plug	37/64"	.570	14.48	.557	.574	.203
	<b>MPC-48</b>	Deep Cup Plug	9/16"	.571	14.50	.567	.575	.250
RT	<b>MPC-220</b>	Deep Cup Plug	37/64"	.588	14.94	.577	.599	.380
	<b>MPC-54</b>	Deep Cup Plug	19/32"	.592	15.04	.590	.594	.281
	<b>MPC-54-B</b>	Deep Cup Plug	19/32"	.592	15.04	.590	.594	.281
	<b>MEP-2</b>	Disc Plug	5/8"	.626	15.90	.622	.628	N/A
	<b>MPC-52</b>	Deep Cup Plug	5/8"	.630	16.00	.625	.635	.250
	<b>MPC-52-B</b>	Deep Cup Plug	5/8"	.630	16.00	.625	.635	.250
	<b>MPS-162</b>	Shallow Cup Plug	5/8"	.631	16.03	.630	.633	.190
	<b>MPC-212-A</b>	Deep Cup Plug	41/64"	.635	16.13	.631	.639	.233
	<b>MPC-140</b>	Deep Cup Plug	21/32"	.658	16.70	.655	.660	.266
	<b>MPC-224-A</b>	Deep Cup Plug	21/32"	.662	16.81	.661	.666	.235
	<b>MEP-45</b>	Disc Plug	11/16"	.668	17.48	.684	.690	N/A
	<b>MPC-144</b>	Deep Cup Plug	11/16"	.695	17.65	.693	.700	.250
	<b>MPC-144-B</b>	Deep Cup Plug	11/16"	.695	17.65	.693	.700	.250
	<b>MPS-158</b>	Shallow Cup Plug	45/64"	.700	17.78	.697	.704	.205
	<b>MPC-151</b>	Deep Cup Plug	11/16"	.701	17.79	.693	.708	.193
	<b>MPC-38</b>	Deep Cup Plug	3/4"	.748	18.99	.740	.755	.250
	<b>MPC-38-B</b>	Deep Cup Plug	3/4"	.748	18.99	.740	.755	.250
	<b>MEP-3</b>	Disc Plug	3/4"	.751	19.08	.747	.753	N/A
	<b>MEP-3-B</b>	Disc Plug	3/4"	.751	19.08	.747	.753	N/A
	<b>MPC-145</b>	Deep Cup Plug	3/4"	.761	19.33	.760	.765	.262
	<b>MPC-225</b>	Deep Cup Plug	49/64"	.775	19.67	.771	.778	.300
	<b>MPC-164</b>	Deep Cup Plug	51/64"	.789	20.04	.789	.791	.312
RT	<b>MPC-185</b>	Deep Cup Plug	51/64"	.790	20.05	.785	.794	.406
	<b>MPC-188</b>	Deep Cup Plug	13/16"	.812	20.62	.811	.813	.312
	<b>MPC-188-B</b>	Deep Cup Plug	13/16"	.812	20.62	.811	.813	.312
	<b>MEP-4</b>	Disc Plug	13/16"	.813	20.65	.809	.815	N/A
	<b>MPS-155</b>	Shallow Cup Plug	13/16"	.820	20.83	.815	.825	.250
	<b>MPC-163</b>	Deep Cup Plug	7/8"	.869	22.07	.868	.872	.312
	<b>MEP-6</b>	Disc Plug	7/8"	.876	22.25	.872	.878	N/A
	<b>MEP-6-B</b>	Disc Plug	7/8"	.876	22.25	.872	.878	N/A
RT	<b>MPC-156</b>	Deep Cup Plug	7/8"	.878	22.30	.876	.885	.375
	<b>MPC-137</b>	Deep Cup Plug	7/8"	.880	22.35	.875	.885	.359
	<b>MPC-29</b>	Deep Cup Plug	7/8"	.888	22.54	.885	.890	.312
	<b>MPC-29-B</b>	Deep Cup Plug	7/8"	.888	22.54	.885	.890	.312
	<b>MPC-72</b>	Deep Cup Plug	29/32"	.912	23.16	.910	.914	.390
	<b>MPC-72-B</b>	Deep Cup Plug	29/32"	.912	23.16	.910	.914	.390
	<b>MPC-77</b>	Deep Cup Plug	59/64"	.922	23.42	.920	.926	.312
	<b>MPC-77-B</b>	Deep Cup Plug	59/64"	.922	23.42	.920	.926	.312
	<b>MEP-7</b>	Disc Plug	15/16"	.938	23.83	.932	.940	N/A
	<b>MEP-7B</b>	Disc Plug	15/16"	.938	23.83	.932	.940	N/A
	<b>MPC-39</b>	Deep Cup Plug	15/16"	.945	23.99	.942	.947	.375
	<b>MPC-39B</b>	Deep Cup Plug	15/16"	.945	23.99	.942	.947	.375
	<b>MPC-223</b>	Deep Cup Plug	61/64"	.955	24.26	.954	.956	.275
	<b>MEP-8</b>	Disc Plug	1"	1.001	25.43	.997	1.003	N/A
	<b>MEP-8-B</b>	Disc Plug	1"	1.001	25.43	.997	1.003	N/A
	<b>MPC-16</b>	Deep Cup Plug	1"	1.009	25.62	1.005	1.012	.295
	<b>MPC-16-B</b>	Deep Cup Plug	1"	1.009	25.62	1.005	1.012	.281
	<b>MPC-111</b>	Deep Cup Plug	1"	1.012	25.70	1.008	1.016	.398

**Standard Cup Plugs Dimensional Listings • Ascending by O.D. (Continued)**

Note	Part No.	Type	Nominal Size	O.D. Decimal Equivalent	O.D. Metric Equivalent	Decimal Diameter		Decimal Height
						Min.	Max.	
	MEP-9	Disc Plug	1-1/16"	1.063	27.00	1.059	1.065	N/A
	MEP-9-B	Disc Plug	1-1/16"	1.063	27.00	1.059	1.065	N/A
	MPC-86	Deep Cup Plug	1-1/16"	1.071	27.19	1.062	1.079	.640
	MPC-174	Deep Cup Plug	1-5/64"	1.073	27.25	1.072	1.074	.280
	MPC-186	Deep Cup Plug	1-1/16"	1.073	27.25	1.072	1.074	.375
	MEP-10	Disc Plug	1-1/8"	1.126	28.60	1.122	1.128	N/A
	MEP-10-B	Disc Plug	1-1/8"	1.126	28.60	1.122	1.128	N/A
	MPC-194	Deep Cup Plug	1-1/8"	1.131	28.73	1.125	1.137	.265
	MPC-25	Deep Cup Plug	1-1/8"	1.133	28.77	1.130	1.135	.437
	MPC-25-B	Deep Cup Plug	1-1/8"	1.133	28.77	1.130	1.135	.437
	MEP-21	Disc Plug	1-3/16"	1.188	30.18	1.184	1.190	N/A
	MEP-21-B	Disc Plug	1-3/16"	1.188	30.18	1.184	1.190	N/A
	MPC-134	Deep Cup Plug	1-13/64"	1.201	30.49	1.198	1.203	.420
	MPC-134-B	Deep Cup Plug	1-13/64"	1.201	30.49	1.198	1.203	.420
	MPC-17	Deep Cup Plug	1-7/32"	1.228	31.18	1.225	1.230	.531
	MPC-17-B	Deep Cup Plug	1-7/32"	1.228	31.18	1.225	1.230	.531
RT	MPC-99	Deep Cup Plug	1-1/4"	1.250	31.75	1.234	1.260	.341
	MEP-11	Disc Plug	1-1/4"	1.251	31.78	1.247	1.253	N/A
	MEP-11-B	Disc Plug	1-1/4"	1.251	31.78	1.247	1.253	N/A
	MPC-18	Deep Cup Plug	1-1/4"	1.255	31.88	1.250	1.260	.437
	MPC-18-B	Deep Cup Plug	1-1/4"	1.255	31.88	1.250	1.260	.437
	MPS-110	Shallow Cup Plug	1-1/4"	1.260	32.00	1.255	1.265	.312
	MPS-110-B	Shallow Cup Plug	1-1/4"	1.260	32.00	1.255	1.265	.312
	MEP-23	Disc Plug	1-5/16"	1.315	33.40	1.307	1.317	N/A
	MPC-19	Deep Cup Plug	1-5/16"	1.321	33.55	1.316	1.326	.432
	MPS-127	Shallow Cup Plug	1-21/64"	1.323	33.59	1.320	1.325	.281
	MPC-221	Deep Cup Plug	1-21/64"	1.335	33.91	1.335	1.337	.300
	MEP-12	Disc Plug	1-3/8"	1.378	35.00	1.370	1.380	N/A
	MEP-12-B	Disc Plug	1-3/8"	1.378	35.00	1.370	1.380	N/A
	MPC-80	Deep Cup Plug	1-3/8"	1.385	35.18	1.380	1.390	.500
	MPC-80-B	Deep Cup Plug	1-3/8"	1.385	35.18	1.380	1.390	.500
	MPS-135	Shallow Cup Plug	1-3/8"	1.385	35.17	1.381	1.388	.340
	MPC-228	Deep Cup Plug	1-3/8"	1.388	35.26	1.388	1.392	.380
	MEP-102	Disc Plug	1-31/64"	1.487	37.77	1.479	1.489	N/A
	MEP-102-B	Disc Plug	1-31/64"	1.487	37.77	1.479	1.489	N/A
	MEP-13	Disc Plug	1-1/2"	1.503	38.18	1.495	1.505	N/A
	MEP-13-B	Disc Plug	1-1/2"	1.503	38.18	1.495	1.505	N/A
	MPC-133	Deep Cup Plug	1-1/2"	1.507	38.27	1.505	1.508	.325
	MPC-133-B	Deep Cup Plug	1-1/2"	1.507	38.27	1.505	1.508	.325
	MPC-85	Deep Cup Plug	1-1/2"	1.508	38.29	1.505	1.510	.625
	MPC-85-B	Deep Cup Plug	1-1/2"	1.508	38.29	1.505	1.510	.625
	MPC-30	Deep Cup Plug	1-1/2"	1.517	38.53	1.512	1.522	.375
	MPC-30-B	Deep Cup Plug	1-1/2"	1.517	38.53	1.512	1.522	.375
	MPS-171	Shallow Cup Plug	1-9/16"	1.570	39.88	1.569	1.571	.315
	MPC-218-A	Deep Cup Plug	1-9/16"	1.571	39.90	1.568	1.574	.305
	MEP-14	Disc Plug	1-5/8"	1.628	41.35	1.620	1.630	N/A
	MEP-14-B	Disc Plug	1-5/8"	1.628	41.35	1.620	1.630	N/A
	MPC-41	Deep Cup Plug	1-5/8"	1.635	41.53	1.634	1.637	.593
	MPC-41-B	Deep Cup Plug	1-5/8"	1.635	41.53	1.634	1.637	.593
	MPC-149	Deep Cup Plug	1-41/64"	1.638	41.59	1.630	1.645	.350
	MPC-149-B	Deep Cup Plug	1-41/64"	1.638	41.59	1.630	1.645	.350
	MPS-126	Shallow Cup Plug	1-5/8"	1.640	41.66	1.640	1.642	.365
	MPS-126-B	Shallow Cup Plug	1-5/8"	1.640	41.66	1.640	1.642	.365
	MPC-41-A	Deep Cup Plug	1-5/8"	1.643	41.72	1.635	1.650	.593
	MPC-149-A	Deep Cup Plug	1-45/64"	1.697	43.10	1.695	1.701	.358
	MPS-76	Shallow Cup Plug	1-45/64"	1.704	43.28	1.703	1.708	.281
	MPS-76-B	Shallow Cup Plug	1-45/64"	1.704	43.28	1.703	1.708	.281



### Standard Cup Plugs Dimensional Listings • Ascending by O.D. (Continued)

Note	Part No.	Type	Nominal Size	O.D. Decimal Equivalent	O.D. Metric Equivalent	Decimal Diameter		Decimal Height
						Min.	Max.	
	MEP-103	Disc Plug	1-47/64"	1.737	44.12	1.729	1.739	N/A
	MEP-103-B	Disc Plug	1-47/64"	1.737	44.12	1.729	1.739	N/A
	MEP-15	Disc Plug	1-3/4"	1.753	44.53	1.745	1.755	N/A
	MEP-15-B	Disc Plug	1-3/4"	1.753	44.53	1.745	1.755	N/A
	MPC-75	Deep Cup Plug	1-3/4"	1.758	44.65	1.754	1.762	.363
	MPC-75-B	Deep Cup Plug	1-3/4"	1.758	44.65	1.754	1.762	.363
	MPC-82	Deep Cup Plug	1-3/4"	1.758	44.64	1.750	1.765	.593
	MPC-82-B	Deep Cup Plug	1-3/4"	1.758	44.64	1.750	1.765	.593
	MPS-57	Shallow Cup Plug	1-3/4"	1.758	44.64	1.750	1.765	.250
	MPC-106	Deep Cup Plug	1-49/64"	1.765	44.82	1.762	1.767	.406
	MPC-106-B	Deep Cup Plug	1-49/64"	1.765	44.82	1.762	1.767	.406
	MPC-75-A	Deep Cup Plug	1-3/4"	1.783	45.28	1.772	1.793	.380
	MPS-96	Shallow Cup Plug	1-51/64"	1.802	45.77	1.800	1.805	.250
	MPS-173	Shallow Cup Plug	1-53/64"	1.825	46.36	1.824	1.826	.350
	MPC-213	Deep Cup Plug	1-7/8"	1.833	47.83	1.882	1.884	.473
	MEP-20	Disc Plug	1-7/8"	1.878	47.70	1.870	1.880	N/A
	MEP-20-B	Disc Plug	1-7/8"	1.878	47.70	1.870	1.880	N/A
	MPC-215	Deep Cup Plug	1-7/8"	1.881	47.78	1.879	1.885	.476
	MPC-203	Deep Cup Plug	1-7/8"	1.885	47.88	1.883	1.894	.265
2	MPC-50	Deep Cup Plug	1-7/8"	1.888	47.94	1.880	1.895	.447
	MPC-50-B	Deep Cup Plug	1-7/8"	1.888	47.94	1.880	1.895	.447
	MPS-65	Shallow Cup Plug	1-29/32"	1.909	48.48	1.906	1.911	.265
	MPS-172	Shallow Cup Plug	1-59/64"	1.921	48.79	1.920	1.922	.235
	MPC-152	Deep Cup Plug	1-15/16"	1.931	49.05	1.930	1.935	.468
	MEP-43	Disc Plug	1-15/16"	1.940	49.28	1.932	1.942	N/A
	MPC-40	Deep Cup Plug	1-15/16"	1.943	49.34	1.935	1.950	.800
	MPC-40-B	Deep Cup Plug	1-15/16"	1.943	49.34	1.935	1.950	.800
	MPS-42	Shallow Cup Plug	1-61/64"	1.954	49.63	1.948	1.960	.345
	MPC-42	Deep Cup Plug	1-61/64"	1.956	49.67	1.953	1.958	.718
	MPC-42-B	Deep Cup Plug	1-61/64"	1.956	49.67	1.953	1.958	.718
	MPS-58	Shallow Cup Plug	1-31/32"	1.978	50.23	1.975	1.980	.218
	MPS-58-B	Shallow Cup Plug	1-31/32"	1.978	50.23	1.975	1.980	.218
	MEP-26	Disc Plug	2"	2.003	50.88	1.995	2.005	N/A
	MEP-26-B	Disc Plug	2"	2.003	50.88	1.995	2.005	N/A
	MPC-146	Deep Cup Plug	2"	2.003	50.88	1.993	2.013	.415
	MPC-146-B	Deep Cup Plug	2"	2.003	50.88	1.993	2.013	.415
	MPC-113	Deep Cup Plug	2"	2.005	50.93	2.000	2.010	.635
	MPC-113-B	Deep Cup Plug	2"	2.005	50.93	2.000	2.010	.635
	MPS-165	Shallow Cup Plug	2"	2.010	51.05	2.008	2.012	.310
	MPC-69	Deep Cup Plug	2-1/64"	2.017	51.23	2.015	2.021	.590
	MPS-66	Shallow Cup Plug	2"	2.020	51.31	2.000	2.028	.406
	MPS-66-B	Shallow Cup Plug	2"	2.020	51.31	2.000	2.028	.406
	MPS-59	Shallow Cup Plug	2-1/16"	2.062	52.36	2.054	2.069	.343
	MPS-59-B	Shallow Cup Plug	2-1/16"	2.062	52.36	2.054	2.069	.343
	MEP-68	Disc Plug	2-1/16"	2.063	52.40	2.060	2.065	N/A
	MEP-68-B	Disc Plug	2-1/16"	2.063	52.40	2.060	2.065	N/A
	MPC-112	Deep Cup Plug	2-1/16"	2.065	52.45	2.060	2.070	.510
	MPC-112-B	Deep Cup Plug	2-1/16"	2.065	52.45	2.060	2.070	.510
	MPS-59-A	Shallow Cup Plug	2-1/16"	2.070	52.48	2.065	2.075	.343
	MPC-131	Deep Cup Plug	2-3/32"	2.098	53.28	2.095	2.100	.610
	MPS-150	Shallow Cup Plug	2-3/32"	2.098	53.28	2.090	2.105	.270
	MPS-78	Shallow Cup Plug	2-7/64"	2.101	53.35	2.091	2.110	.296
	MPS-78-B	Shallow Cup Plug	2-7/64"	2.101	53.35	2.091	2.110	.296
	MPS-83	Shallow Cup Plug	2-1/64"	2.101	53.35	2.091	2.110	.296
	MPS-83-B	Shallow Cup Plug	2-1/64"	2.101	53.35	2.091	2.110	.296
	MPS-159	Shallow Cup Plug	2-7/64"	2.101	53.35	2.091	2.110	.296

### Standard Cup Plugs Dimensional Listings • Ascending by O.D. (Continued)

Note	Part No.	Type	Nominal Size	O.D. Decimal Equivalent	O.D. Metric Equivalent	Decimal Diameter		Decimal Height
						Min.	Max.	
	MEP-44	Disc Plug	2-1/8"	2.128	54.05	2.120	2.130	N/A
	MPS-170	Shallow Cup Plug	2-9/64"	2.135	54.23	2.134	2.136	.360
	MPC-84	Deep Cup Plug	2-9/64"	2.146	54.50	2.140	2.151	.600
	MPS-71	Shallow Cup Plug	2-5/32"	2.148	54.55	2.137	2.158	.328
	MPS-71-B	Shallow Cup Plug	2-5/32"	2.148	54.55	2.137	2.158	.328
	MPC-153	Deep Cup Plug	2-5/32"	2.156	54.76	2.155	2.160	.358
	MPS-74	Shallow Cup Plug	2-3/16"	2.181	55.40	2.170	2.192	.343
	MPS-74-B	Shallow Cup Plug	2-3/16"	2.181	55.40	2.170	2.192	.343
	MPC-147	Deep Cup Plug	2-3/16"	2.194	55.73	2.184	2.204	.343
	MPS-154	Shallow Cup Plug	2-7/32"	2.221	56.40	2.218	2.223	.305
	MPS-154-B	Shallow Cup Plug	2-7/32"	2.221	56.40	2.218	2.223	.305
	MPS-157	Shallow Cup Plug	2-15/64"	2.230	56.64	2.228	2.232	.280
	MEP-22	Disc Plug	2-1/4"	2.253	57.23	2.245	2.255	N/A
	MPC-81	Deep Cup Plug	2-1/4"	2.258	57.34	2.250	2.265	.812
	MPC-81-B	Deep Cup Plug	2-1/4"	2.258	57.34	2.250	2.265	.812
RT	MPC-90	Deep Cup Plug	2-17/64"	2.262	57.45	2.262	2.266	.355
	MEP-229	Disc Plug	2-9/32"	2.280	57.91	2.272	2.282	N/A
	MEP-142	Disc Plug	2-3/8"	2.375	60.30	2.373	2.377	N/A
RT	MPC-92	Deep Cup Plug	2-25/64"	2.390	60.71	2.388	2.392	.310
RT	MPC-132	Deep Cup Plug	2-1/2"	2.497	63.42	2.485	2.509	.495
RT	MPC-132-B	Deep Cup Plug	2-1/2"	2.497	63.42	2.485	2.509	.495
	MEP-28	Disc Plug	2-1/2"	2.503	63.58	2.495	2.505	N/A
RT	MPC-89	Deep Cup Plug	2-37/64"	2.575	65.41	2.573	2.577	.301
	MEP-62	Disc Plug	2-3/4"	2.753	69.93	2.745	2.755	N/A

A = Special Size B = Brass C = Stainless Steel RT = Reverse Taper 1 = Special Chrysler Cam Plug 2 = Special Ford Cam Plug 3 = Special GM Plug w/ .030 Hole



**MOGP-100**  
GM, Isuzu, Saab  
4.8L, 5.3L, 5.7L, 6.0L, 6.2L, 7.0L OHV  
1997-2018



**MOGP-200**  
GM  
4.3L, 5.3L, 6.2L, 6.6L OHV  
2014-2021

### Oil Galley Plugs Dimensional Listings

Part No.	Type	Attachment Type	O.D. Decimal Equivalent	O.D. Metric Equivalent	Length Decimal Equivalent	Length Metric Equivalent	Material
MOGP-100	Oil Galley Plug	Press-Fit	.618	15.68	2.500	63.50	Nylon
MOGP-200	Oil Galley Plug	Press-Fit	.660	16.70	2.950	74.93	Nylon



**MEP-334**  
Chrysler, Dodge, Jeep, Ram  
5.7L, 6.1L, 6.2L, 6.4L OHV HEMI  
2003-2022



**MEP-335**  
Ford, Mercury, Mazda  
4.0L SOHC  
1997-2011 (Rear)

### Camshaft / Jackshaft Plugs Dimensional Listings

Part No.	Type	Attachment Type	O.D. Decimal Equivalent	O.D. Metric Equivalent	Depth Decimal Equivalent	Depth Metric Equivalent	Material
MEP-334	Camshaft Plug	Press-Fit	1.886	47.90	.271	6.80	Steel
MEP-335	Jackshaft Plug	Press-Fit	2.019	51.28	.315	8.00	Steel

## Engine Plug Kits Content Listings

Part No.	Contents
<b>MPE-100BR</b>	(8) MPC-41B Block, (2) MPC-48 Oil Galley, (3) MPC-95 Oil Galley, (3) MPC-108 Oil Galley, (1) MPS-78 Camshaft, (5) MPP-567
<b>MPE-100R</b>	(8) MPC-41 Block, (2) MPC-48 Oil Galley, (3) MPC-95 Oil Galley, (3) MPC-108 Oil Galley, (1) MPS-78 Camshaft, (5) MPP-567
<b>MPE-101BR</b>	(10) MPC-41B Block, (3) MPC-95 Oil Galley, (1) MPS-78 Oil Galley, (5) MPP-567
<b>MPE-101R</b>	(10) MPC-41 Block, (3) MPC-95 Oil Galley, (1) MPS-78 Oil Galley, (5) MPP-567
<b>MPE-102BR</b>	(8) MPC-82B Block, (1) MPS-154 Oil Galley, (7) MPP-567
<b>MPE-102R</b>	(8) MPC-82 Block, (1) MPS-154 Oil Galley, (7) MPP-567
<b>MPE-103BR</b>	(2) MPC-41B Block, (4) MPC-54 Oil Galley, (1) MPS-78 Camshaft, (2) MEP-26 Block, (4) MPP-554
<b>MPE-103R</b>	(2) MPC-41 Block, (4) MPC-54 Oil Galley, (1) MPS-78 Camshaft, (2) MEP-26 Block, (4) MPP-554
<b>MPE-104BR</b>	(3) MPC-41B Block, (1) MPC-69B Block, (1) MPC-54 Oil Galley, (1) MPS-78 Camshaft, (1) MPP-554
<b>MPE-104R</b>	(3) MPC-41 Block, (1) MPC-69 Block, (1) MPC-54 Oil Galley, (1) MPS-78 Camshaft, (1) MPP-554
<b>MPE-105BR</b>	(5) MPC-75B Block, (1) MPC-88 Oil Galley, (1) MPS-59A Camshaft, (1) MPS-59B Camshaft, (2) MPP-567
<b>MPE-105R</b>	(5) MPC-75 Block, (1) MPC-88 Oil Galley, (2) MPS-59A Camshaft, (2) MPP-567
<b>MPE-106BR</b>	(6) MPS-59B Block, (2) MPP-554
<b>MPE-106R</b>	(6) MPS-59A Block, (2) MPP-554
<b>MPE-107BR</b>	(5) MPS-126B Block, (1) MPC-147 Camshaft, (1) MPS-59B Block, (2) MPP-554
<b>MPE-107R</b>	(5) MPS-126 Block, (1) MPC-147 Camshaft, (1) MPS-59A Block, (2) MPP-554
<b>MPE-108BR</b>	(6) MPC-133B Block, (1) MPC-145 Block, (3) MPC-95 Oil Galley, (1) MPS-71 Camshaft, (4) MPP-567
<b>MPE-108R</b>	(6) MPC-133 Block, (1) MPC-145 Block, (3) MPC-95 Oil Galley, (1) MPS-71 Camshaft, (4) MPP-567
<b>MPE-109BR</b>	(6) MPC-133B Block, (1) MPS-175 Camshaft, (3) MPP-554, (2) MPP-639
<b>MPE-109R</b>	(6) MPC-133 Block, (1) MPS-175 Camshaft, (3) MPP-554, (2) MPP-639
<b>MPE-110BR</b>	(6) MPC-75B Block, (6) MPC-88 Oil Galley, (1) MPC-92 Camshaft, (4) MPP-567
<b>MPE-110R</b>	(6) MPC-75 Block, (6) MPC-88 Oil Galley, (1) MPC-92 Camshaft, (4) MPP-567
<b>MPE-111BR</b>	(4) MPC-75B Block, (1) MPS-59A Camshaft, (2) MPP-554
<b>MPE-111R</b>	(4) MPC-75 Block, (1) MPS-59A Camshaft, (2) MPP-554
<b>MPE-112BR</b>	(5) MPS-126B Block, (1) MPC-84 Camshaft, (2) MPP-554
<b>MPE-112R</b>	(5) MPS-126 Block, (1) MPC-84 Camshaft, (2) MPP-554
<b>MPE-113BR</b>	(5) MPS-110B Block, (9) MPS-126B Block, (1) MPC-203 Camshaft, (2) MPC-54 Oil Galley, (1) MEP-20 Camshaft, (4) MPP-554, (1) MPP-568
<b>MPE-113R</b>	(5) MPS-110 Block, (9) MPS-126 Block, (1) MPC-203 Camshaft, (2) MPC-54 Oil Galley, (1) MEP-20 Camshaft, (4) MPP-554, (1) MPP-568
<b>MPE-114BR</b>	(6) MPS-126B Block, (1) MPC-84 Camshaft, (4) MPP-554
<b>MPE-114R</b>	(6) MPS-126 Block, (1) MPC-84 Camshaft, (4) MPP-554
<b>MPE-115BR</b>	(8) MPC-42B Block, (1) MPC-39 Oil Galley, (2) MPC-48 Oil Galley, (1) MPC-112 Camshaft, (2) MPP-554
<b>MPE-115R</b>	(8) MPC-42 Block, (1) MPC-39 Oil Galley, (2) MPC-48 Oil Galley, (1) MPC-112 Camshaft, (2) MPP-554
<b>MPE-116BR</b>	(6) MPS-66B Block, (1) MPS-170 Block, (2) MPP-554
<b>MPE-116R</b>	(6) MPS-66 Block, (1) MPS-170 Block, (2) MPP-554
<b>MPE-117BR</b>	(6) MPC-30B Block, (2) MPC-75 Block, (1) MPS-170 Camshaft, (4) MPP-554
<b>MPE-117R</b>	(6) MPC-30 Block, (2) MPC-75 Block, (1) MPS-170 Camshaft, (4) MPP-554
<b>MPE-118BR</b>	(2) MPC-54 Block, (6) MPS-133B Block, (1) MPS-172 Camshaft, (2) MPP-567
<b>MPE-118R</b>	(2) MPC-54 Block, (6) MPS-133 Block, (1) MPS-172 Camshaft, (2) MPP-567
<b>MPE-119BR</b>	(2) MPC-54 Block, (2) MPC-133B Block, (4) MPS-66B Block, (1) MPS-172 Camshaft, (2) MPP-567
<b>MPE-119R</b>	(2) MPC-54 Block, (2) MPC-133 Block, (4) MPS-66 Block, (1) MPS-172 Camshaft, (2) MPP-567
<b>MPE-120BR</b>	(2) MPC-48 Head, (6) MPC-75B Block, (1) MPC-146 Camshaft, (3) MPP-554
<b>MPE-120R</b>	(2) MPC-48 Head, (6) MPC-75 Block, (1) MPC-146 Camshaft, (3) MPP-554
<b>MPE-121BR</b>	(3) MPC-39 Head, (4) MPC-82B Block, (1) MPS-58 Camshaft, (2) MPP-568, (4) MPP-554
<b>MPE-121R</b>	(3) MPC-39 Head, (4) MPC-82 Block, (1) MPS-58 Camshaft, (2) MPP-568, (4) MPP-554
<b>MPE-122BR</b>	(6) MPC-41B Head, (4) MPC-75B Block, (1) MEP-3 R.A. Shaft, (2) MPP-567, (2) MPP-637, (4) MPP-733
<b>MPE-122R</b>	(6) MPC-41 Head, (4) MPC-75 Block, (1) MEP-3 R.A. Shaft, (2) MPP-567, (2) MPP-637, (4) MPP-733
<b>MPE-123BR</b>	(5) MEP-26-B Block, (4) MPP-637, (2) MPP-733
<b>MPE-123R</b>	(5) MEP-26 Block, (4) MPP-637, (2) MPP-733
<b>MPE-124BR</b>	(1) MPC-39 Block, (1) MPC-54 Block, (1) MPC-72 Block H, (6) MPC-133B Block H, (1) MPS-150 Camshaft, (2) MPP-637
<b>MPE-124R</b>	(1) MPC-39 Block, (1) MPC-54 Block, (1) MPC-72 Block H, (6) MPC-133 Block H, (1) MPS-150 Camshaft, (2) MPP-637
<b>MPE-125BR</b>	(6) MPC-30B Block H, (1) MPC-132 Camshaft, (2) MPP-554, (2) MPP-567, (2) MPP-639
<b>MPE-125R</b>	(6) MPC-30 Block H, (1) MPC-132 Camshaft, (2) MPP-554, (2) MPP-567, (2) MPP-639

B = Brass V = Vented T = Teflon Tape

## Engine Plug Kits Content Listings

Part No.	Contents
<b>MPE-126BR</b>	(3) MPC-149B Block, (1) MPS-59A Block, (1) MPC-88 Oil Galley, (3) MPP-567, (1) MPP-638T
<b>MPE-126R</b>	(3) MPC-149 Block, (1) MPS-59A Block, (1) MPC-88 Oil Galley, (3) MPP-567, (1) MPP-638T
<b>MPE-127BR</b>	(2) MPC-133B Block, (1) MPC-167 Block, (1) MPC-166 Oil Galley, (1) MPC-168, (1) MPP-567, (1) MPP-637
<b>MPE-127R</b>	(2) MPC-133 Block, (1) MPC-167 Block, (1) MPC-166 Oil Galley, (1) MPC-168, (1) MPP-567, (1) MPP-637
<b>MPE-128BR</b>	(3) MPC-133B Block, (1) MPS-59A Block, (1) MPP-567, (4) MPP-637
<b>MPE-128R</b>	(3) MPC-133 Block, (1) MPS-59A Block, (1) MPP-567, (4) MPP-637
<b>MPE-129BR</b>	(7) MPC-133B Block, (1) MPS-165 Camshaft, (1) MPP-507, (2) MPP-567, (1) MPP-733
<b>MPE-129R</b>	(7) MPC-133 Block, (1) MPS-165 Camshaft, (1) MPP-507, (2) MPP-567, (1) MPP-733
<b>MPE-130BR</b>	(1) MPC-218B Block, (1) MPC-222 Camshaft, (3) MPC-224B Block, (2) MPP-160
<b>MPE-130R</b>	(1) MPC-218 Block, (1) MPC-222 Camshaft, (3) MPC-224 Block, (2) MPP-160
<b>MPE-131BR</b>	(7) MPC-212B Block, (2) MPP-160
<b>MPE-131R</b>	(7) MPC-212 Block, (2) MPP-160
<b>MPE-132BR</b>	(1) MPC-212B Block/Head, (1) MPC-218B Block, (7) MPC-224B Block/Head, (1) MPP-160
<b>MPE-132R</b>	(1) MPC-212 Block/Head, (1) MPC-218 Block, (7) MPC-224 Block/Head, (1) MPP-160
<b>MPE-133BR</b>	(1) MPC-204 Block, (2) MPC-218B Block/Head, (4) MPC-224B Block
<b>MPE-133R</b>	(1) MPC-204 Block, (2) MPC-218 Block/Head, (4) MPC-224 Block
<b>MPE-134R</b>	(1) MPC-204 Block, (1) MPC-214 Block, (1) MPC-216 Block, (3) MPC-224 Block, (4) MPC-230 Block/Head
<b>MPE-135BR</b>	(1) MPC-206B Block, (4) MPC-218B Block, (2) MPC-230B Block, (2) MEP-217 Block, (1) MPC-107 Oil Galley
<b>MPE-135R</b>	(1) MPC-206 Block, (4) MPC-218 Block, (2) MPC-230 Block, (2) MEP-217 Block, (1) MPC-107 Oil Galley
<b>MPE-136BR</b>	(5) MPC-212B Block, (1) MPC-214B Block
<b>MPE-136R</b>	(5) MPC-212 Block, (1) MPC-214 Block
<b>MPE-137BR</b>	(4) MPC-133B Block, (2) MPC-54 Oil Galley, (1) MPS-42 Camshaft, (1) MPS-172 Camshaft, (4) MPC-25B Block, (2) MPP-567
<b>MPE-137R</b>	(4) MPC-133 Block, (2) MPC-54 Oil Galley, (1) MPS-42 Camshaft, (1) MPS-172 Camshaft, (4) MPC-25 Block, (2) MPP-567
<b>MPE-138BR</b>	(7) MPC-212B Block, (1) MPC-224B Block, (1) MEP-211 Block
<b>MPE-138R</b>	(7) MPC-212 Block, (1) MPC-224 Block, (1) MEP-211 Block
<b>MPE-139R</b>	(5) MPC-212 Block, (1) MPC-224 Block, (1) MEP-211 Block
<b>MPE-140BR</b>	(6) MPC-212B
<b>MPE-140R</b>	(6) MPC-212
<b>MPE-141R</b>	(5) MPC-218 Block, (4) MPC-230 Block, (2) MEP-213 Block
<b>MPE-143BR</b>	(4) MEP-14B Block
<b>MPE-143R</b>	(4) MEP-14 Block
<b>MPE-144BR</b>	(2) MPC-234B Block, (4) MPC-253B Block
<b>MPE-144R</b>	(2) MPC-234 Block, (4) MPC-253 Block
<b>MPE-145R</b>	(7) MPC-18 Block, (1) MEP-68 Block
<b>MPE-146R</b>	(3) MPC-224 Block, (1) MPC-258 Block, (1) MEP-68 Block/Head
<b>MPE-147R</b>	(1) MPC-276 Block, (1) MPC-278 Block, (7) MPC-280 Block
<b>MPE-148BR</b>	(7) MPC-224B Block
<b>MPE-148R</b>	(7) MPC-224 Block
<b>MPE-149R</b>	(2) MPC-212, (5) MPC-218
<b>MPE-150BR</b>	(2) MPC-202 Block, (4) MPC-224B Block, (1) MPC-286
<b>MPE-150R</b>	(2) MPC-202 Block, (4) MPC-224 Block, (1) MPC-286
<b>MPE-151BR</b>	(3) MPC-208 Block, (1) MPC-212B Block
<b>MPE-151R</b>	(3) MPC-208 Block, (1) MPC-212 Block
<b>MPE-152BR</b>	(4) MPC-212B Block
<b>MPE-152R</b>	(4) MPC-212 Block
<b>MPE-153BR</b>	(7) MPC-206B Block
<b>MPE-153R</b>	(7) MPC-206 Block
<b>MPE-154BR</b>	(3) MPC-29B Block, (1) MPC-48 Oil Galley
<b>MPE-154R</b>	(3) MPC-29 Block, (1) MPC-48 Oil Galley
<b>MPE-155R</b>	(3) MPC-18 Block, (1) MPC-38 Oil Galley, (1) MPC-111 Oil Galley, (4) MPC-133 Block, (1) MPC-146
<b>MPE-156BR</b>	(3) MPC-208B Block, (1) MPC-218 Oil Galley, (5) MPC-256B Block, (1) MEP-8
<b>MPE-156R</b>	(3) MPC-208 Block, (1) MPC-218 Oil Galley, (5) MPC-256 Block, (1) MEP-8
<b>MPE-157BR</b>	(6) MEP-221B Block, (1) MEP-233 Oil Galley
<b>MPE-157R</b>	(6) MEP-221 Block, (1) MEP-233 Oil Galley

B = Brass V = Vented T = Teflon Tape

## Engine Plug Kits Content Listings

Part No.	Contents
<b>MPE-158BR</b>	(8) MEP-221B Block, (1) MEP-233 Oil Galley
<b>MPE-158R</b>	(8) MEP-221 Block, (1) MEP-233 Oil Galley
<b>MPE-159R</b>	(4) MEP-11 Block, (1) MEP-13 Block
<b>MPE-160BR</b>	(1) MEP-10B Block, (2) MEP-12B Block, (1) MEP-13 Block, (2) MPP-567
<b>MPE-160R</b>	(1) MEP-10 Block, (2) MEP-12 Block, (1) MEP-13 Block, (2) MPP-567
<b>MPE-161BR</b>	(6) MPC-41B Block, (1) MEP-13B Block
<b>MPE-161R</b>	(6) MPC-41 Block, (1) MEP-13 Block
<b>MPE-162BR</b>	(5) MPC-41B Block, (1) MEP-13B Block
<b>MPE-162R</b>	(5) MPC-41 Block, (1) MEP-13 Block
<b>MPE-163BR</b>	(5) MPC-41B Block, (1) MPC-42B Camshaft, (1) MPC-54 Block, (1) MPS-150 Camshaft, (1) MPP-554
<b>MPE-163R</b>	(5) MPC-41 Block, (1) MPC-42 Camshaft, (1) MPC-54 Block, (1) MPS-150 Camshaft, (1) MPP-554
<b>MPE-164R</b>	(2) MPC-54 Block/Camshaft, (4) MPC-133 Block, (1) MPS-96 Camshaft, (2) MPP-567
<b>MPE-165BR</b>	(3) MPC-234B Block/Head, (6) MPC-280B Block, (2) MPP-554, (2) MPP-567
<b>MPE-165R</b>	(3) MPC-234 Block/Head, (6) MPC-280 Block, (2) MPP-554, (2) MPP-567
<b>MPE-166BR</b>	(6) MPC-133B Block, (1) MPC-16 Oil Galley, (1) MPS-74 Oil Galley, (4) MPP-554
<b>MPE-166R</b>	(6) MPC-133 Block, (1) MPC-16 Oil Galley, (1) MPS-74 Oil Galley, (4) MPP-554
<b>MPE-167BR</b>	(1) MPC-39B Block, (4) MPC-42B Block, (2) MPC-48 Block, (1) MPC-112 Camshaft, (2) MPP-554
<b>MPE-167R</b>	(1) MPC-39 Block, (4) MPC-42 Block, (2) MPC-48 Block, (1) MPC-112 Camshaft, (2) MPP-554
<b>MPE-168R</b>	(10) MPC-75 Block, (1) MPC-75A Block, (1) MPC-132 Camshaft, (2) MPP-567, (2) MPP-568
<b>MPE-169BR</b>	(8) MPC-41B Block, (1) MPC-95 Block, (1) MPC-282 Block, (1) MPS-78 Camshaft, (1) MPP-567, (1) MPP-637
<b>MPE-169R</b>	(8) MPC-41 Block, (1) MPC-95 Block, (1) MPC-282 Block, (1) MPS-78 Camshaft, (1) MPP-567, (1) MPP-637
<b>MPE-170R</b>	(2) MPC-202 Block, (4) MPC-224 Block, (1) MPC-268 Block
<b>MPE-171R</b>	(5) MPC-224 Block, (1) MPC-258 Block, (1) MEP-201 Block
<b>MPE-172R</b>	(8) MPC-228 Block, (1) MPC-258 Block
<b>MPE-173R</b>	(1) MPC-48 Block, (4) MPC-280 Block, (1) MPP-637 Block, (1) MPP-567, (1) MPP-490
<b>MPE-176BR</b>	(3) MPC-52 Head, (5) MPS-126B Block/Head
<b>MPE-176R</b>	(3) MPC-52 Head, (5) MPS-126 Block/Head
<b>MPE-177BR</b>	(8) MPC-133B Block, (1) MPS-175 Camshaft, (2) MPP-490, (3) MPP-639
<b>MPE-177R</b>	(8) MPC-133 Block, (1) MPS-175 Camshaft, (2) MPP-490, (3) MPP-639
<b>MPE-178R</b>	(6) MPC-206, (3) MPC-228
<b>MPE-179BR</b>	(2) MPS-135 Block/Head, (7) MEP-13B Block/Head
<b>MPE-179R</b>	(2) MPS-135 Block/Head, (7) MEP-13 Block/Head
<b>MPE-180BR</b>	(6) MPC-41B Block, (2) MPC-282 Oil Galley, (1) MPS-154 Camshaft, (5) MPP-567, (1) MPP-637
<b>MPE-180R</b>	(6) MPC-41 Block, (2) MPC-282 Oil Galley, (1) MPS-154 Camshaft, (5) MPP-567, (1) MPP-637
<b>MPE-181R</b>	(3) MPC-106 Block, (1) MPC-113 Block, (1) MPS-170 Camshaft, (2) MPP-567
<b>MPE-183R</b>	(1) MPC-166 Block/Head, (4) MPC-272 Block, (1) MPP-490, (1) MPP-560, (3) MPP-567, (1) MPP-638
<b>MPE-184R</b>	(1) MPS-158 Block/Head, (1) MPS-170 Block/Head (2) MPP-560, (1) MPP-568
<b>MPE-185BR</b>	(8) MPC-41B Block, (1) MPC-108 Oil Galley, (1) MPC-282 Oil Galley, (1) MPC-95 Oil Galley, (1) MPS-150 Camshaft, (3) MPP-490, (1) MPP-560, (1) MPP-567
<b>MPE-185R</b>	(8) MPC-41 Block, (1) MPC-108 Oil Galley, (1) MPC-282 Oil Galley, (1) MPC-95 Oil Galley, (1) MPS-150 Camshaft, (3) MPP-490, (1) MPP-560, (1) MPP-567
<b>MPE-186BR</b>	(3) MPC-212B Block, (3) MPC-218B Block, (4) MPC-248B Block, (1) MPP-554, (1) MPP-567, (1) MPP-638
<b>MPE-186R</b>	(3) MPC-212 Block, (3) MPC-218 Block, (4) MPC-248 Block, (1) MPP-554, (1) MPP-567, (1) MPP-638
<b>MPE-187BR</b>	(3) MPC-41B Block, (1) MPC-147B Camshaft, (4) MPC-567, (1) MPP-638
<b>MPE-187R</b>	(3) MPC-41 Block, (1) MPC-147-B Camshaft, (4) MPC-567, (1) MPP-638
<b>MPE-189BR</b>	(2) MPC-95 Block, (8) MPC-224B Camshaft
<b>MPE-189R</b>	(2) MPC-95 Block, (8) MPC-224 Camshaft
<b>MPE-190R</b>	(1) MPC-212 Block, (4) MPC-224 Block, (2) MPC-236 Block, (1) MPP-560, (1) MPP-625, (1) MPP-638
<b>MPE-191R</b>	(8) MPC-206 Block, (1) MPC-224 Block, (1) MPC-248 Block
<b>MPE-194R</b>	(1) MPC-212 Block, (4) MPC-224 Camshaft
<b>MPE-195BR</b>	(1) MPC-212B Block, (6) MPC-224B Camshaft
<b>MPE-195R</b>	(1) MPC-212 Block, (6) MPC-224 Camshaft
<b>MPE-202R</b>	(1) MPC-204 Block, (5) MPC-224 Block, (1) MPC-256 Block
<b>MPE-210R</b>	(8) MPC-253 Block

B = Brass V = Vented T = Teflon Tape

## Engine Plug Kits Content Listings

Part No.	Contents
MPE-212R	(8) MPC-224 Block, (1) MPC-218 Camshaft, (3) MPP-560, (3) MPP-567
MPE-214R	(6) MPC-224 Block
MPE-216R	(3) MPC-212 Block, (3) MPC-218 Block, (4) MPC-248 Block
MPE-218R	(5) MPC-224 Block, (1) MPC-258 Crankshaft
MPR-220R	(1) MPC-221 Block, (3) MPC-224 Crankshaft
MPE-222R	(6) MPC-206 Block, (3) MPC-224 Crankshaft
MPE-224R	(1) MPC-206 Block, (5) MPC-212 Block, (1) MPC-224 Camshaft, (2) MPC-230 Block
MPE-226R	(9) MPC-224 Block
MPE-227R	(4) MPC-253 Block, (2) MPC-278 Block
MPE-228R	(1) MPC-224 Camshaft, (8) MPC-212 Block
MPE-229BR	(7) MPC-85B, (8) MPC-188B, (4) MPC-80B, (8) MPC-144B, (4) MPC-211B
MPE-229R	(7) MPC-85, (8) MPC-188, (4) MPC-80, (8) MPC-144, (4) MPC-211
MPE-230R	(12) MPC-206 Block
MPE-232R	(7) MPC-212 Block, (1) MPC-224 Block, (1) MEP-211 Block, (2) MPP-560
MPE-236R	(9) MPC-206 Block, (2) MPP-560
MPE-240R	(4) MPC-272, (1) MPS-170, (1) MPC-169, (1) MPC-234, (1) MPP-554, (5) MPP-567, (1) MPC-393V
MPE-242R	(1) MPC-16 Block, (1) MPP-735, (2) MPP-560, (2) MPP-507T
MPE-246R	(5) MPS-57 Block, (1) MPS-201, (1) MPC-147, (2) MPP-639
MPE-249R	(8) MPC-224, (1) MPC-212
MPE-250R	(7) MPC-133 Block, (1) MPC-146 Camshaft (1) MPP-507
MPE-252BR	(5) MPC-133B Block, (1) MPS-157 Camshaft, (4) MPP-507, (2) MPP-639
MPE-252R	(5) MPC-133 Block, (1) MPS-157 Camshaft, (4) MPP-507, (2) MPP-639
MPE-253R	(8) MPC-41 Block, (2) MPC-52
MPE-254R	(1) MPC-41 Camshaft, (5) MPC-230 Block, (2) MPC-224, (2) MPP-560
MPE-255BR	(11) MPC-224B
MPE-255R	(11) MPC-224
MPE-256BR	(6) MPS-66B BLOCK, (2) MPC-16B, (1) MPS-170, (3) MPP-637
MPE-256R	(6) MPS-165 BLOCK, (2) MPC-16, (1) MPS-170, (3) MPP-637
MPE-258BR	(7) MPC-41B Block, (1) MPC-203 Camshaft, (1) MPS-110B Block, (1) MPP-554, (2) MPP-568
MPE-258R	(7) MPC-41 Block, (1) MPC-203 Camshaft, (1) MPS-110 Block, (1) MPP-554, (2) MPP-568
MPE-259R	(8) MPC-224 Block
MPE-261BR	(9) MPC-224B Block
MPE-261R	(9) MPC-224 Block
MPE-262R	(8) MPC-41A Block, (1) MPS-78 Camshaft, (3) MPC-95 Block, (3) MPC-108 Block, (5) MPP-567, (2) MPC-48 (O/S Block Plug)
MPE-263BR	(6) MPC-224B, (1) MPC-85B, (2) MPC-204B
MPE-263R	(6) MPC-224, (1) MPC-85, (2) MPC-204
MPE-265R	(7) MPC-260
MPE-271R	(6) MPC-206, (1) MPC-224, (2) MPC-244
MPE-275BR	(6) MPC-41B, (1) MPS-154, (5) MPP-554, (10) MPP-567, (3) MPP-638
MPE-275R	(6) MPC-41, (1) MPS-154, (5) MPP-554, (10) MPP-567, (3) MPP-638
MPE-276BR	(6) MPC-280B Block (6) MPP-567, (2) MPP-638, (2) MPP-637
MPE-276R	(6) MPC-280 Block (6) MPP-567, (2) MPP-638, (2) MPP-637
MPE-277R	(6) MPC-224, (1) MPC-256, (2) MEP-333
MPE-278BR	(1) MPS-74B, (6) MPC-133B, (1) MPP-638, (1) MPP-554, (1) MPP-507
MPE-278R	(1) MPS-74, (6) MPC-133, (1) MPP-638, (1) MPP-554, (1) MPP-507
MPE-280BR	(10) MPC-133B, (2) MPC-234, (2) MPP-554
MPE-280R	(10) MPC-133, (2) MPC-234, (2) MPP-554
MPE-281BR	(6) MPC-82B, (2) MPC-133B, (2) MPC-75B, (2) MPP-554, (2) MPC-234
MPE-281R	(6) MPC-82, (2) MPC-133, (2) MPC-75, (2) MPP-554, (2) MPC-234
MPE-300BR	(4) MPC-224B, (2) MPC-218B
MPE-300R	(4) MPC-224, (2) MPC-218
MPE-608BR	(6) MPC-30B Block, (3) MPC-95 Oil Galley, (1) MPC-145 Block, (1) MPS-71 Camshaft, (4) MPP-567 Deep Plug
MPE-608R	(6) MPC-30 Block, (3) MPC-95 Oil Galley, (1) MPC-145 Block, (1) MPS-71 Camshaft, (4) MPP-567 Deep Plug
MPE-609BR	(6) MPC-30B Block, (1) MPS-175 Camshaft, (3) MPP-554, (2) MPP-639 Deep Plug

B = Brass V = Vented T = Teflon Tape



## Engine Plug Kits Content Listings

Part No.	Contents
<b>MPE-609R</b>	(6) MPC-30 Block, (1) MPS-175 Camshaft, (3) MPP-554, (2) MPP-639 Deep Plug
<b>MPE-610BR</b>	(6) MPC-82B Block, (6) MPC-88 Oil Galley (1) MPC-92 Camshaft, (4) MPP-567 Deep Plug
<b>MPE-610R</b>	(6) MPC-82 Block, (6) MPC-88 Oil Galley (1) MPC-92 Camshaft, (4) MPP-567 Deep Plug
<b>MPE-613BR</b>	(2) MPC-54, (1) MPC-203, (5) MPS-110B, (9) MPC-41B, (1) MEP-20, (4) MPP-554, (1) MPP-568 Deep Cup Plug
<b>MPE-613R</b>	(2) MPC-54, (1) MPC-203, (5) MPS-110, (9) MPC-41, (1) MEP-20, (4) MPP-554, (1) MPP-568 Deep Cup Plug
<b>MPE-614BR</b>	(1) MPC-84, (6) MPC-41B, (4) MPP-554 Deep Plug Kit
<b>MPE-614R</b>	(1) MPC-84, (6) MPC-41, (4) MPP-554 Deep Plug Kit
<b>MPE-620BR</b>	(5) MPC-41B Block, (1) MPC-42B, (1) MPS-78, (1) MPC-54, (1) MPP-554
<b>MPE-620R</b>	(5) MPC-41 Block, (1) MPC-42, (1) MPS-78, (1) MPC-54, (1) MPP-554, (1) MPS-159
<b>MPE-624BR</b>	(1) MPC-131 Block, (6) MPC-85B, (1) MPC-39, (1) MPC-72, (1) MPC-54, (2) MPP-637
<b>MPE-624R</b>	(1) MPC-131 Block, (6) MPC-85, (1) MPC-39, (1) MPC-72, (1) MPC-54, (2) MPP-637
<b>MPE-627BR</b>	(1) MPC-167 Block, (2) MPC-133B, (1) MPC-48, (1) MPC-166, (1) MPP-637, (1) MPP-554
<b>MPE-628BR</b>	(1) MPC-112 Block, (3) MPC-133B, (4) MPP-637, (1) MPP-554
<b>MPE-628R</b>	(1) MPC-112 Block, (3) MPC-133, (4) MPP-637, (1) MPP-554
<b>MPE-629R</b>	(1) MPC-113 Block, (7) MPC-133, (2) MPP-567, (1) MPP-507, (1) MPP-733
<b>MPE-637BR</b>	(4) MPC-25B Block, (2) MPC-54, (4) MPC-30B, (1) MPS-42, (1) MPS-172, (2) MPP-567
<b>MPE-637R</b>	(4) MPC-25 Block, (2) MPC-54, (4) MPC-30, (1) MPS-42, (1) MPS-172, (2) MPP-567
<b>MPE-700BR</b>	(4) MPC-253B Block
<b>MPE-700R</b>	(4) MPC-253 Block
<b>MPE-701BR</b>	(5) MPC-146B Block, (2) MPC-16B, (1) MPS-170, (3) MPP-554
<b>MPE-701R</b>	(5) MPC-146 Block, (2) MPC-16, (1) MPS-170, (3) MPP-554
<b>MPE-708R</b>	(5) MPC-280 Block, (1) MPC-206 Block, (6) MPP-567, (3) MPP-637
<b>MPE-709BR</b>	(1) MPC-41B Block, (2) MPC-80B, (5) MPC-230B
<b>MPE-709R</b>	(1) MPC-41 Block, (2) MPC-80, (5) MPC-230
<b>MPE-711BR</b>	(6) MPC-41B Block, (2) MPC-52B
<b>MPE-711R</b>	(6) MPC-41 Block, (2) MPC-52
<b>MPE-712BR</b>	(8) MPC-41B Block, (3) MPC-52B
<b>MPE-712R</b>	(8) MPC-41 Block, (3) MPC-52
<b>MPE-713BR</b>	(1) MPC-38B Block, (1) MPP-637, (2) MPP-568, (2) MPP-480
<b>MPE-713R</b>	(1) MPC-38 Block, (1) MPP-637, (2) MPP-568, (2) MPP-480
<b>MPE-717BR</b>	(6) MPC-30B Block, (2) MPS-42, (2) MPC-54B, (5) MPP-567
<b>MPE-717R</b>	(6) MPC-30 Block, (2) MPS-42, (2) MPC-54, (5) MPP-567
<b>MPE-718BR</b>	(6) MPC-206B Block, (2) MPC-230B, (1) MPC-224B
<b>MPE-718R</b>	(6) MPC-206 Block, (2) MPC-230, (1) MPC-224
<b>MPE-800R</b>	(8) MPC-224
<b>MPE-801R</b>	(6) MPC-206
<b>MPE-802R</b>	(3) MPC-286, (9) MPC-224
<b>MPE-804R</b>	(3) MPC-206, (7) MPC-224, (2) MPC-230
<b>MPE-805R</b>	(8) MPC-224 Block, (1) MPC-212
<b>MPE-806R</b>	(8) MPC-224 Block, (3) MPC-212, (1) MPC-206
<b>MPE-807R</b>	(1) MPC-224 Block, (9) MPC-206
<b>MPE-808R</b>	(6) MPC-224 Block (1) MPS-98, (2) MPC-206
<b>MPE-810R</b>	(9) MPC-224
<b>MPE-811R</b>	(2) MPC-41 Block, (4) MPC-80
<b>MPE-812R</b>	(4) MPC-253 Block (2) MPC-234
<b>MPE-814R</b>	(4) MEP-12 Block, (1) MPC-206, (1) MPC-212, (1) MPC-204
<b>MPE-815R</b>	(8) MPC-224 Block, (1) MPC-206, (1) MPC-212
<b>MPE-816R</b>	(7) MPC-224 Block
<b>MPE-817R</b>	(11) MPC-41 Block, (1) MPC-18, (1) MPC-16
<b>MPE-818R</b>	(8) MPC-30 Block
<b>MPE-819BR</b>	(8) MPC-75B, (2) MPC-133B, (2) MPC-234, (2) MPP-554
<b>MPE-819R</b>	(8) MPC-75, (2) MPC-133, (2) MPC-234, (2) MPP-554
<b>MPE-821R</b>	(2) MEP-7 Block, (1) MPS-58
<b>MPE-824R</b>	(8) MPC-224 Block

B = Brass V = Vented T = Teflon Tape

## Engine Plug Kits Content Listings

Part No.	Contents
MPE-825R	(10) MPC-224 Block, (1) MPC-204
MPE-830R	(8) MPC-133 Block, (2) MPC-16V, (2) MPC-169, (2) MPP-554
MPE-831R	(4) MPC-111 Block
MPE-832R	(5) MPC-41 Block
MPE-833R	(1) MPC-69 Block, (1) MPS-58
MPE-835R	(2) MPC-133 Block, (1) MPC-111
MPE-836R	(10) MPS-135 Block, (1) MPC-144, (4) MPP-568
MPE-842R	(8) MPC-133 Block, (2) MPS-175, (2) MPP-490, (3) MPP-639
MPE-843R	(4) MPC-30, (1) MPC-54, (4) MPC-111, (1) MPP-507T
MPE-844R	(4) MPC-145, (10) MPC-202, (8) MPC-212, (2) MPC-248, (6) MPC-282
MPE-845R	(6) MPC-282, (10) MPC-202, (2) MPC-248
MPE-846R	(1) MPC-52 Block, (4) MPC-111 Block, (1) MEP-336 Camshaft (2) MPP-554T, (5) MPP-507T
MPE-847R	(1) MPC-394, (6) MPC-395, (1) MPS-110, (4) MPC-111, (1) MPC-29, (3) MPC-151, (2) MPC-222A, (2) MDP-1, (1) O-Ring
MPE-848BR	(8) MPC-41B Block, (2) MPC-48V Oil Galley, (3) MPC-95 Oil Galley (3) MPC-108 Oil Galley, (1) MPS-78 Camshaft (5) MPP-567
MPE-848R	(8) MPC-41 Block, (2) MPC-48V Oil Galley, (3) MPC-95 Oil Galley (3) MPC-108 Oil Galley, (1) MPS-78 Camshaft (5) MPP-567
MPE-849R	(1) MPC-394, (5) MPC-395, (1) MPS-110, (4) MPC-111, (2) MPC-29, (3) MPC-151, (3) MPC-222A
MPE-850R	(1) MPC-227, (5) MPC-166, (2) MPC-280, (4) MPP-583T, (5) MPP-751T
MPE-900BR	(1) MPC-212A, (3) MPP-949T, (1) MPP-663T
MPE-900BR-GP	(1) MPC-212A, (3) MPP-949T, (1) MPP-663T, (1) MOGP-100
MPE-901BR	(4) MPC-18B
MPE-902BR	(4) MPC-18B, (1) MEP-334, (5) MPP-746, (2) MPP-747, (4) MPP-748
MPE-903BR	(4) MPC-18B, (2) MPP-747
MPE-936BR	(4) MPC-52B, (10) MPC-256B
MPH-1R	(2) MPC-133, (2) MPC-88, (3) MPP-554, (2) MPP-638

B = Brass V = Vented T = Teflon Tape

## LIMITED WARRANTY

**THIS WARRANTY IS EXCLUSIVE AND IS IN LIEU OF ANY OTHER WARRANTY, INCLUDING ANY WARRANTY OF MERCHANTABILITY, FITNESS FOR A PARTICULAR PURPOSE, OR WARRANTY OF QUALITY, WHETHER EXPRESS OR IMPLIED, EXCEPT THE WARRANTY OF TITLE. THE REMEDIES SET FORTH IN THIS WARRANTY ARE EXCLUSIVE.**

All products sold by Melling Engine Parts, other than as referenced herein, are warranted to the initial consumer/owner for one (1) year from the date of installation, to be free from defects in materials or workmanship. This warranty is limited to either replacement of the defective product or refund of the purchase price, at the option of Melling Engine Parts.

There is no warranty applicable to these products: Any product that has been altered or tampered with, such as taken apart, misused, subject to excessive operating conditions, or that malfunctions because of foreign particles such as engine dirt or pieces of other deteriorating components, or products used in a vehicle that has been altered for other than its intended purposes, timing components sold individually, and performance products, including but not limited to, products used for off-road or racing purposes, are not covered by this warranty or any other warranty.

If the initial consumer/owner has a claim under this warranty, the product claimed to be defective must be returned to the place of purchase, then sent back, prepaid to Melling Engine Parts for inspection. If Melling Engine Parts determines that the product fails to conform to this warranty, it will either replace the product or refund its original purchase price, at the option of Melling Engine Parts. Failure to return the product for inspection will void this warranty. Jurisdiction: Any legal actions on claims arising out of this Warranty must be brought in the Courts located in and having jurisdiction in the State of Michigan, where Melling Engine Parts is located, and Michigan law will apply.

**This Melling Engine Parts warranty does not consider low or no oil pressure grounds for claims of extensive engine repairs nor replacement of damaged engines. This limitation is based on the fact that all vehicles have as standard equipment, either warning lights or gauges, to warn the operator of low oil pressure, low oil level, or no oil pressure, prior to the occurrence of engine damage. If an operator chooses to ignore these gauges or warning lights, or if the gauges or warning lights are not in operating condition, this constitutes negligence on the operator's part, and voids the consumer/owner's right to any warranty claim against Melling Engine Parts, which will not be responsible for the cost of any such extensive damages.**

Some states do not allow limitations on how long an implied warranty lasts or exclusion or limitation of incidental or consequential damages, so the above limitations or exclusions may not apply to you. This warranty gives you specific legal rights, and you may also have other rights which vary from state to state.

### NOTE: WARRANTY DISCLAIMER

It is illegal to use some Melling performance camshafts in vehicles that are operated on the public streets and highways of California. Various other federal and state laws may limit the use of the camshafts to "off-highway" applications only. Check current federal and state laws to be sure. The current version of this warranty can be found on [www.melling.com](http://www.melling.com) and takes legal precedence over printed versions including the Melling catalog.



## SUPPLYING QUALITY ENGINE PARTS FOR OVER 75 YEARS

Since 1946 when George Melling Sr. and his son Ben started Melling Tool Company in Jackson, Michigan, the Melling brand has been recognized as a leader in supplying quality parts to the engine building industry.

More than 75 years later, demand for Melling products is stronger than ever and widely preferred by professionals in markets around the world. From those first products shipped three generations ago to our now extensive portfolio of world class automotive solutions, Melling has given customers multiple reasons to prefer one brand and one standard of quality and performance.

- *Camshafts*
- *Camshaft & Lifter Kits*
- *Cylinder Deactivation Delete Kits*
- *Cylinder Sleeves*
- *Camshaft Thrust Plates*
- *Engine Plugs*
- *Engine Plug Kits*
- *Engine Hardware Kits*
- *Oil Pumps*
- *Oil Pump Intermediate Drive Shafts*
- *Oil Pump Repair Kits*
- *Oil Pump Screens*
- *Pushrods*
- *Pushrod Guideplates*
- *Rocker Arms*
- *Rocker Arm Shafts*
- *Rocker Arm Assembly Hardware*
- *Spark Plug Tubes*
- *Speciality Items and Installation Tools*
- *Timing Chains*
- *Timing Kits*
- *Timing Kits W/ Oil Pumps*
- *Timing Kits W/ Water Pumps*
- *Timing Sprockets*
- *Timing Tensioners, Dampers & Guides*
- *Valves*
- *Valve Lifters*
- *Valve Lifter Sets*
- *Valve Locks*
- *Valve Spring Seats*
- *Valve Spring Shims*
- *Valve Springs*
- *Valve Spring Kits*
- *Valve Spring Kits W/ Retainers, Locks and Seals*
- *Valve Spring Retainers*
- *Valve Spring Seats*
- *Valve Stem Seals*
- *VVT Solenoids*
- *VVT Sprockets*
- *Water Pumps*

***Thank you for supporting Melling & Melling Performance products!***

